

SPECIFICATIONS

Mechanical

Contact Retention Force: 1.80kgf min.
Mating force: 340gf max. per contact pair
Unmating force: 28gf min. per contact pair
Durability: 500 Cycles

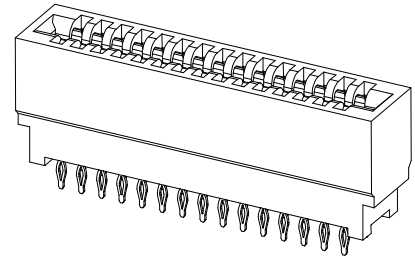
Electrical

Current Rating: 3A max.
Current Voltage: 250VAC
Contact Resistance: 15mΩ max. initial
Dielectric Withstanding Voltage: 1000V
Insulation Resistance: 5000MΩ min.

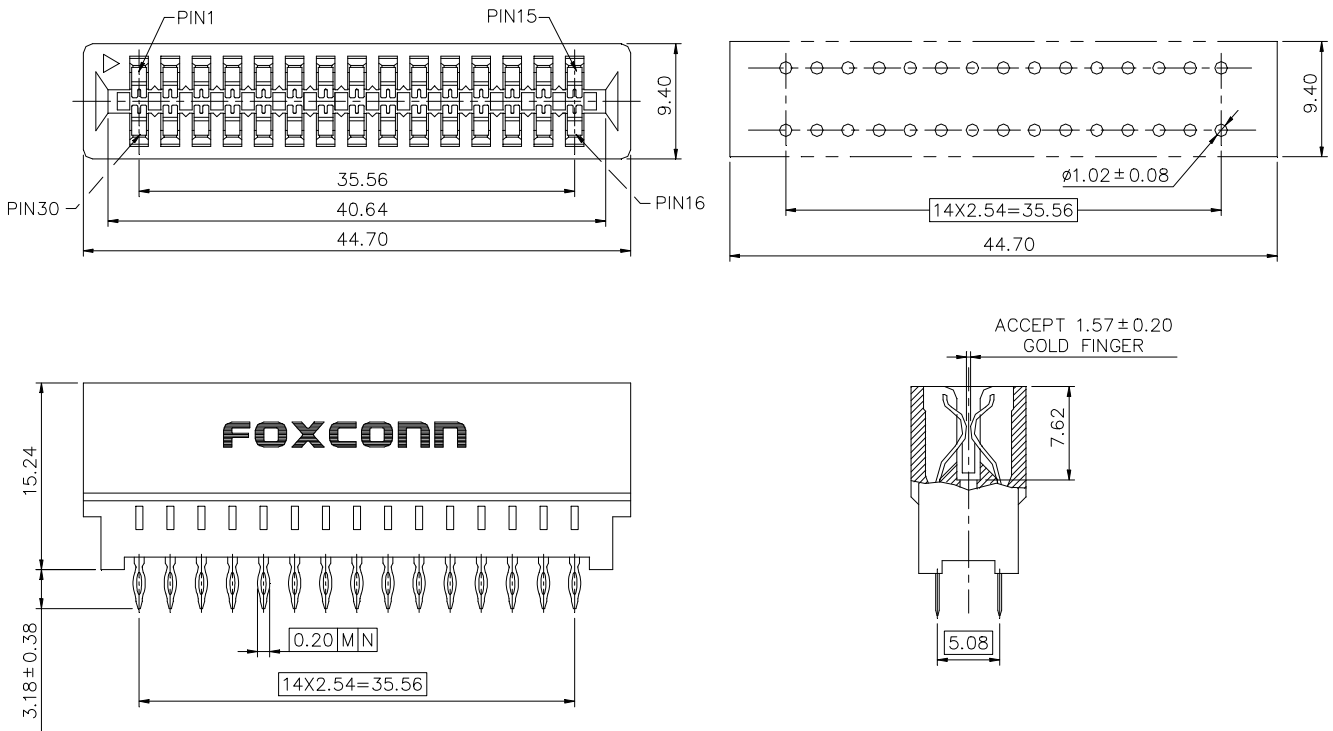
Physical

Housing: Thermoplastic, UL 94V-0 rated, in Black Color
Contact: Copper alloy
Plating: See "ORDERING INFORMATION"
Operating Temperature: -55°C to +85°C

ES Series
2.54 mm [.100"] Pitch
Vertical Type Deep Slot
30 Pos.



DRAWING



ORDERING INFORMATION

PRUDUCT NO: E S 9 15 0 * - T P - D F

Series Prefix: _____
 2.54 mm Pitch
 Edge Card Conn.

Termination Type: _____
 9: Press-fit Type

No. of Pos.: _____
 15: 30 Pos.

Tail Length Type: _____
 0: 3.18mm

Plating Type: _____
 DF: Lead Free

Extension Code: _____

Gold Plating: _____
 1: Gold Flash
 3: 30u" Gold
 7: 15u" Gold